



# Active 2012.

MA2012

Two towers with net bridge, climbing wall, balcony and straight slide



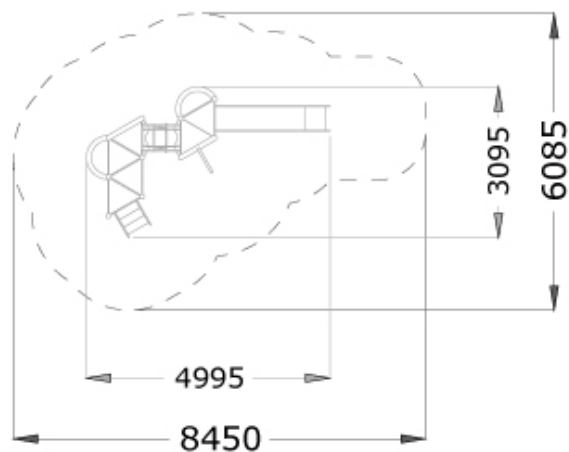
MA2012

## Specification

Age Range: 5+  
Fall Height: (mm) 1800  
Minimum Space: 34m<sup>2</sup>  
Product Dimensions: LxWxH (mm) 4995 x 3095 x 3695

Installation Information:  
Assembly Time: (hr) 8  
People Required: 3

Materials:  
HDPE, Stainless Steel, Steel Core Rope, Hot Dip Galvanised and Powder Coated Steel



t 01202 013370

e [info@russell-play.com](mailto:info@russell-play.com)  
w [www.russell-play.com](http://www.russell-play.com)