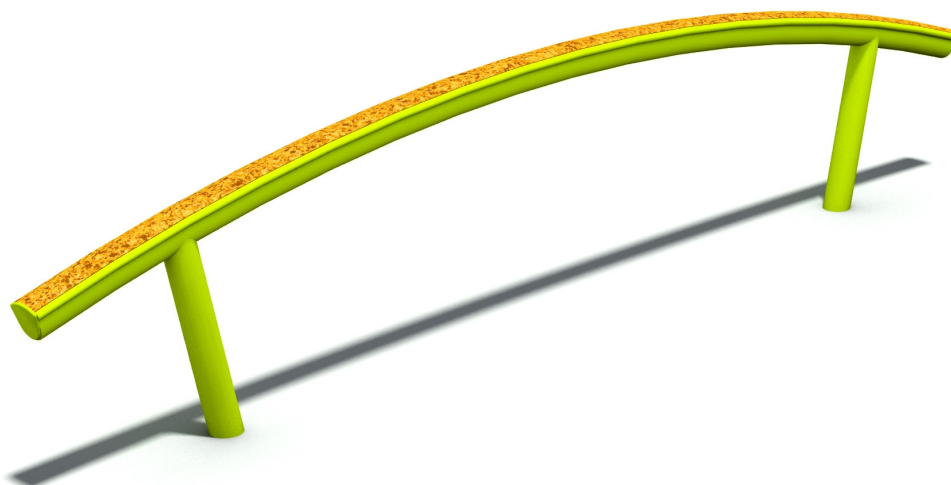




Balance Beam.

SA-05-0010

Curved balance beam with rubber top surface

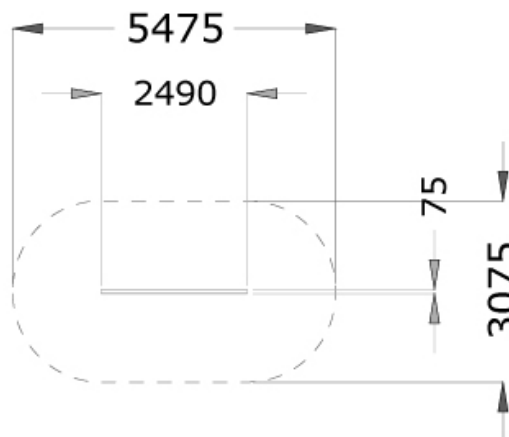


Specification

Age Range: 3+
Fall Height: (mm) 500
Minimum Space: 15m²
Product Dimensions: LxWxH (mm) 2490 x 75 x 534

Installation Information:
Assembly Time: (hr) 1
People Required: 2

Materials:
EPDM Rubber & Hot Dip Galvanised
and Powder Coated Steel



t 01202 013370

e info@russell-play.com
w www.russell-play.com